

SCREW AND LEVEL PAD

Aslon Systems has developed a highly innovative Screw and Level pad to enable sub-constructions of decking to be set at the right height quickly and easily.

The ring of the screw and level pad can be raised or lowered by using a screwdriver with the right bit or a loose Allen key, while the aluminium beam are placed in the screw and level pad. This works much faster than floor supports that have to be adjusted manually to the correct height.

TIME SAVING

The screw and level pad can be used in combination with the Aslon decking or tile substructure system, and saves a huge amount of time on installation.

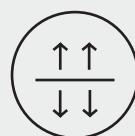
The screw and level pad is easy to use in combination with the raiser. These simply click together, allowing different height to be created.

See backside for dimensions and application.



FAST AND ACCURATE

Very fast and accurate height adjustment of substructures and floors, using a screwdriver or Allen key.



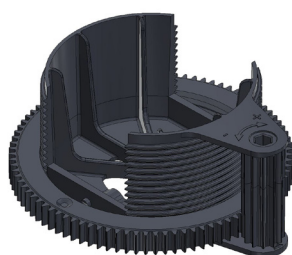
ADJUSTABLE

Flexibly height-adjustable screw and level pad with additional raiser for more variations in heights.

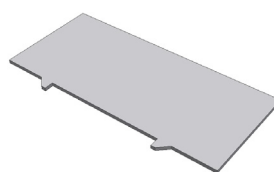


LOAD CAPACITY

The screw and level pad is made of glass-fibre hardened plastic and due to the material choice and shape, is loadable up to 90kg



Screw and level pad



Fillingplate



Raiser



CONTACT

✉ sales@aslon-systems.com

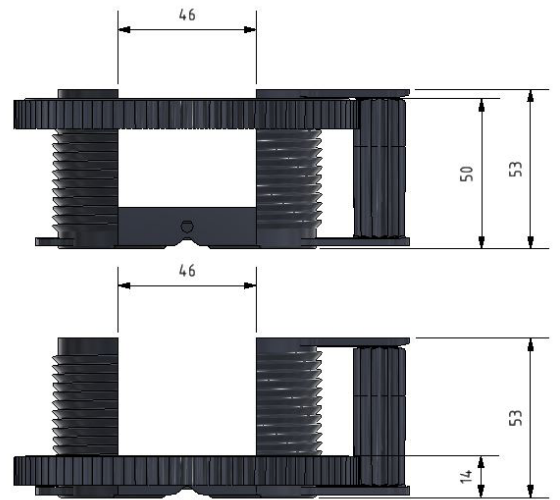
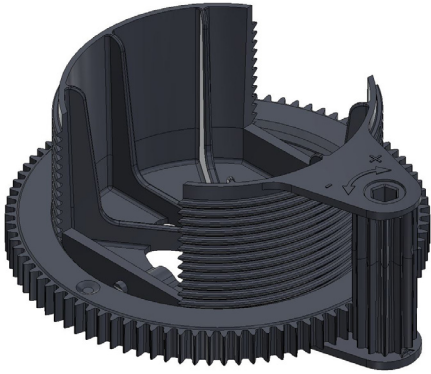
🌐 www.aslon-deckingsystems.com

📷 [@aslonsystems](https://www.instagram.com/aslonsystems)

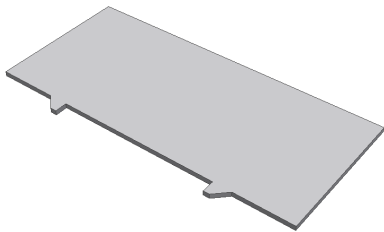


THE COMPONENTS WITH DIMENSIONS

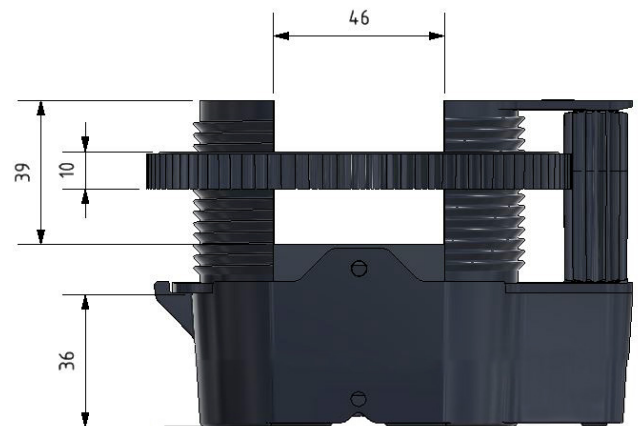
SCREW AND LEVEL PAD



FILLINGPLATE



RAISER



CONTACT

✉ sales@aslon-systems.com

🖱 www.aslon-deckingsystems.com

📷 [@aslonsystems](https://www.instagram.com/aslonsystems)

